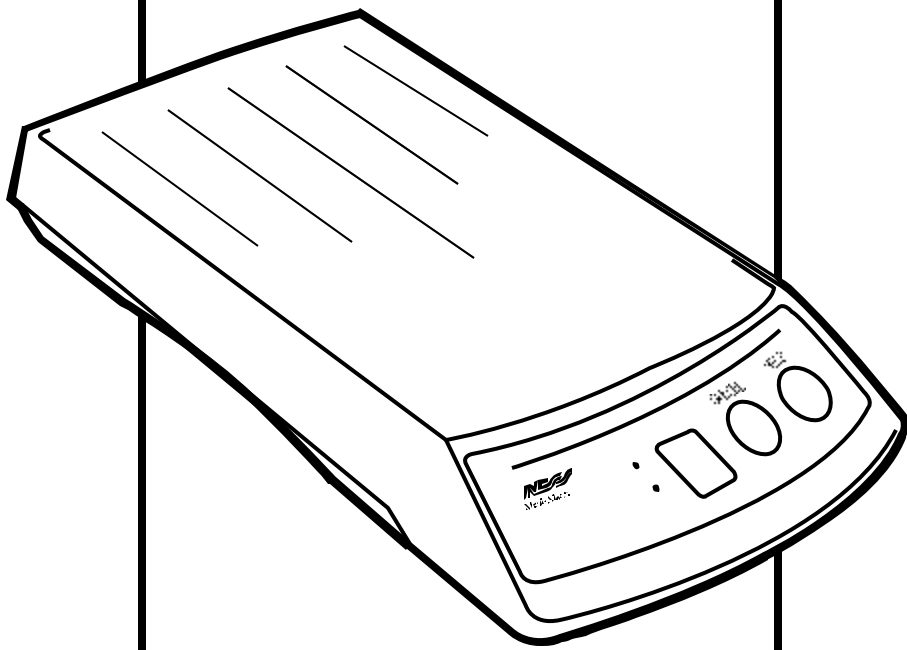


MEDI-ALARM



Security Products



Security Products



Head Office:
Ness Security Products Pty Ltd
ABN 28 069 984 372
4 / 167 Prospect Hwy
Seven Hills NSW 2147 Australia
Ph +61 2 8825 9222
Admin Fax +61 2 9838 8508
ness@ness.com.au

SYDNEY
4 / 167 Prospect Highway
Seven Hills NSW 2147
Ph 02 8825 9222 Fax 02 9674 2520
sales@ness.com.au

MELBOURNE
24 Terracotta Drive
Blackburn VIC 3130
Ph 03 9875 6400 Fax 03 9875 6422
nessmelb@ness.com.au

BRISBANE
Unit 3, 471 Lytton Road
Morningside QLD 4170
Ph 07 3399 4910 Fax 07 3217 9711
nessbris@ness.com.au

PERTH
Unit 1, 567 Newcastle Street
West Perth WA 6005
Ph 08 9328 2511 Fax 08 9227 7073
nessper@ness.com.au

ADELAIDE
13 Weaver Street
Edwardstown SA 5039
Ph 08 8277 7255 Fax 08 8276 3028
adelaide@ness.com.au

NESS LIMITED WARRANTY:

Ness Security Products Pty Ltd warrants its products to be free from manufacturing defects in materials or workmanship for the warranty period as detailed in Ness' Terms and Conditions of Sale and all other obligations detailed in those Terms and Conditions.

Whilst Ness Security Products, the manufacturer, is accredited to ISO9001 and all possible care and diligence has been applied during manufacture to ensure the reliable operation of this unit, there are various external factors that MAY impede or restrict the operation of this unit in accordance with the product's specification.

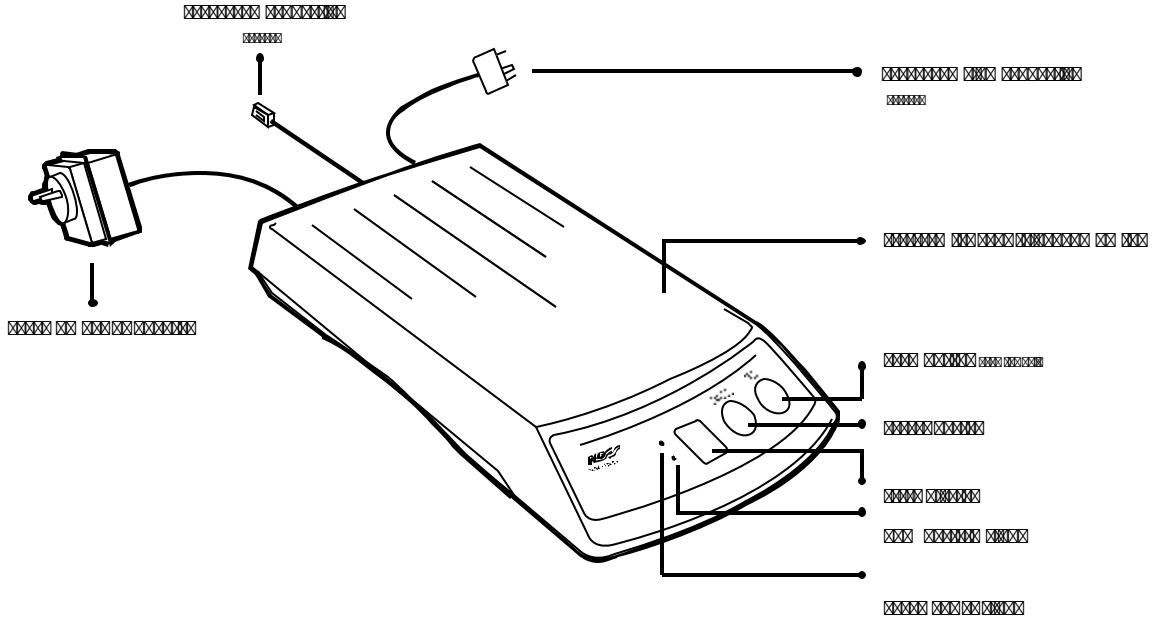
These factors include, but are not limited to,

1. Failure to communicate to the monitoring company due to a telephone service provider's line fault or due to the incorrect configuration of the telephone/Product to the Telephone Network. It is the responsibility of a qualified Installer to ensure correct configuration to the telephone network.
2. Erratic or reduced radio range as detailed in the manufacturer's specifications. Ness' radio based products are sophisticated low power devices however the presence of in-band radio signals, high power transmissions or interference caused by electrical appliances e.g. computers, televisions etc. MAY reduce the range performance. Whilst such occurrences are unusual, they are possible none the less. If a problem such as this is encountered and the performance is unsatisfactory, the installer of the product should be contacted immediately.
3. Unauthorised tampering, physical damage, electrical interruptions such as mains failure, electrical spikes or lightning.

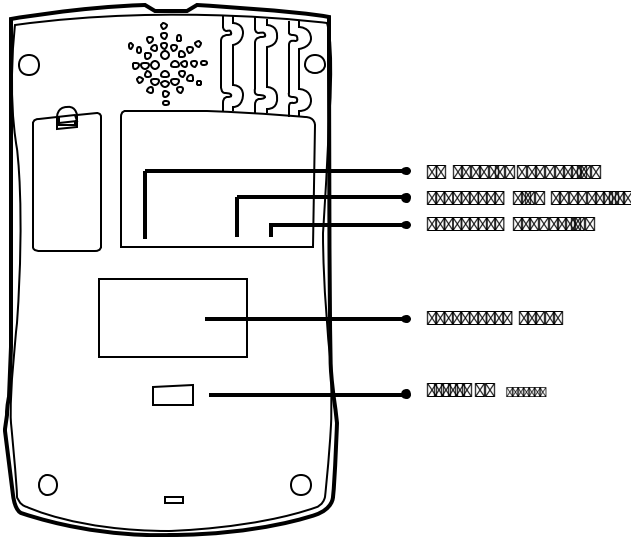
Ness Security Products is not an insurer of either property or safety of the user and limits its liability for any loss or damage including incidental or consequential damages to Ness' original selling price. There are no warranties, expressed or implied, which extend beyond the description on the face hereof. Ness Security Products recommend that the system is tested weekly to confirm reliable operation.

☒ ☒ ☒ ☒ - ☒ ☒ ☒ ☒

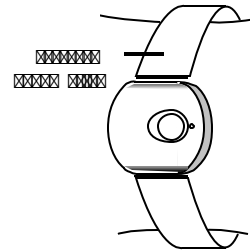
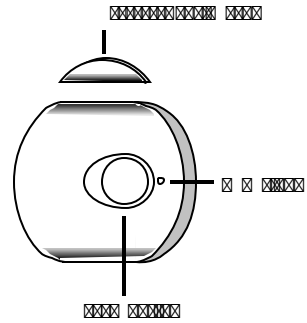
☒ ☒ ☒ ☒ ☒ ☒



☒ ☒ ☒ ☒ ☒ ☒



☒ ☒ ☒ ☒ ☒ ☒ ☒ ☒ ☒



INACTIVITY MONITOR

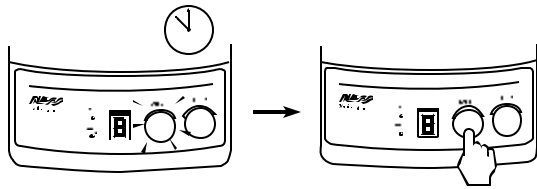
When the inactivity monitor is activated, the device will beep every 10 minutes. The beeping will stop when the device is used. The device will also beep when the battery is low.

PILL TIMER CANCEL BUTTON FLASHES AND BEEPS FOR 10 MINUTES.

When the pill timer is activated, the cancel button will flash and beep for 10 minutes. The beeping will stop when the cancel button is pressed.

The cancel button will flash and beep for 10 minutes. The beeping will stop when the cancel button is pressed.

When the inactivity monitor is activated, the device will beep every 10 minutes. The beeping will stop when the device is used. The device will also beep when the battery is low.

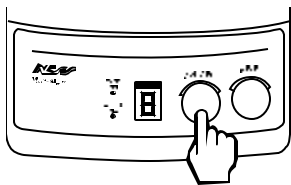


When the inactivity monitor is activated, the device will beep every 10 minutes. The beeping will stop when the device is used. The device will also beep when the battery is low.

HOW IT WORKS (For example)

When the inactivity monitor is activated, the device will beep every 10 minutes. The beeping will stop when the device is used. The device will also beep when the battery is low.

When the inactivity monitor is activated, the device will beep every 10 minutes. The beeping will stop when the device is used. The device will also beep when the battery is low.



When the inactivity monitor is activated, the device will beep every 10 minutes. The beeping will stop when the device is used. The device will also beep when the battery is low.

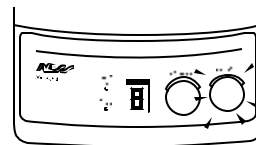
When the inactivity monitor is activated, the device will beep every 10 minutes. The beeping will stop when the device is used. The device will also beep when the battery is low.

When the inactivity monitor is activated, the device will beep every 10 minutes. The beeping will stop when the device is used. The device will also beep when the battery is low.

When the inactivity monitor is activated, the device will beep every 10 minutes. The beeping will stop when the device is used. The device will also beep when the battery is low.

INACTIVITY MONITOR A SERIES OF FIVE BEEPS WHILE THE RED HELP LIGHT IS FLASHING.

When the inactivity monitor is activated, the device will beep every 10 minutes. The beeping will stop when the device is used. The device will also beep when the battery is low.



When the inactivity monitor is activated, the device will beep every 10 minutes. The beeping will stop when the device is used. The device will also beep when the battery is low.

TEST CALLS

When the inactivity monitor is activated, the device will beep every 10 minutes. The beeping will stop when the device is used. The device will also beep when the battery is low.

When the inactivity monitor is activated, the device will beep every 10 minutes. The beeping will stop when the device is used. The device will also beep when the battery is low.

